

FIGURE 9 - PARTS LIST: MK-3024K CONCRETE SAW - P/N 166449

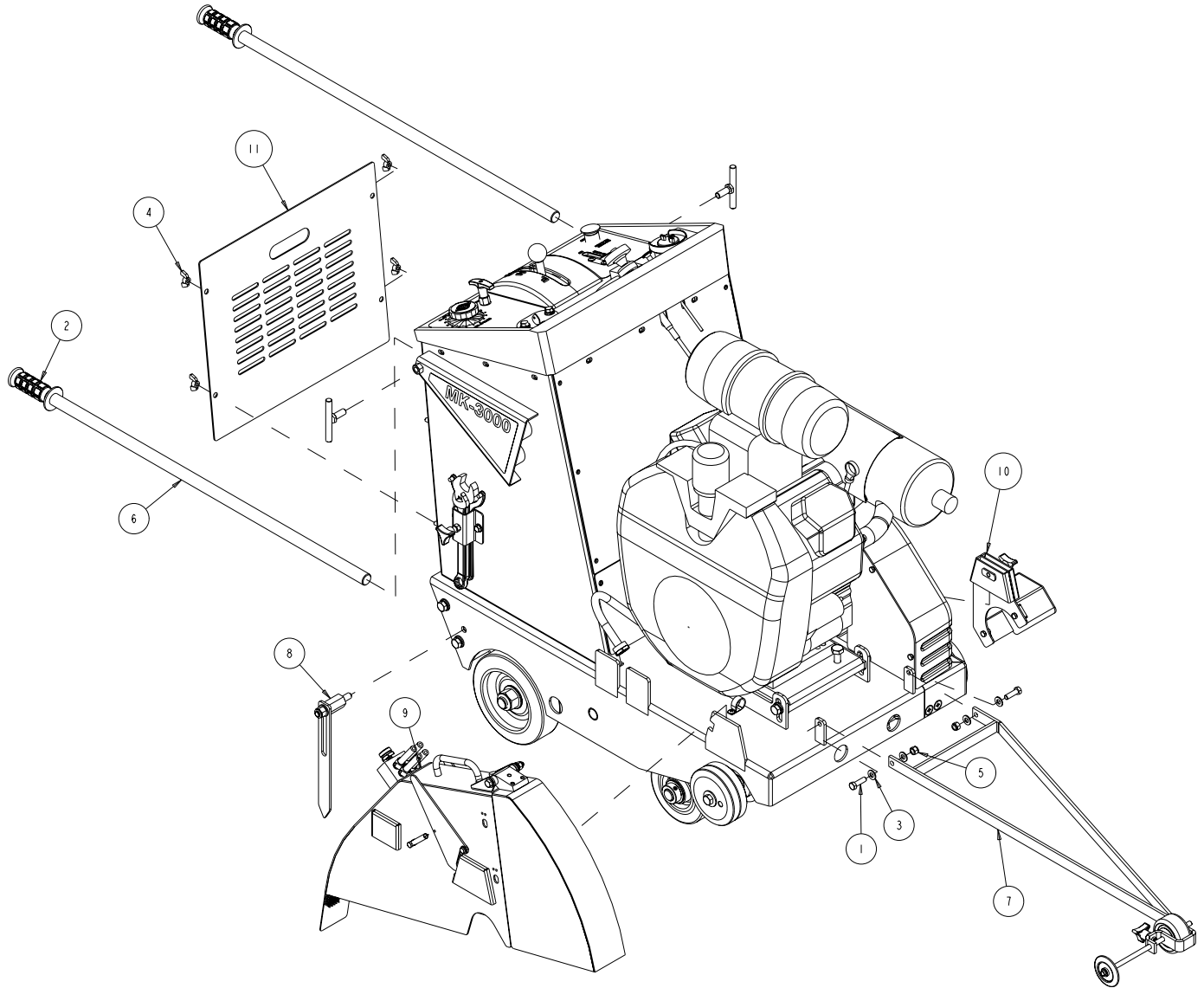


FIGURE 9 - PARTS LIST: MK-3024K CONCRETE SAW - P/N 166449

| ITEM NO. | DESCRIPTION | PART OR IDENTIFYING NO. | QTY. REQ. |
|----------|------------------------------------|-------------------------|-----------|
| 1 | SCREW, 3/8-16 X 1-1/4 HEX HEAD CAP | 150774 | 2 |
| 2 | GRIP, HANDLE, 1.0 ID | 150842 | 2 |
| 3 | WASHER, 3/8 SAE FLAT | 150923 | 4 |
| 4 | WINGNUT, 5/16-18 NYLOK | 151746 | 4 |
| 5 | NUT, 3/8-16 NYLOK HEX | 152505 | 2 |
| 6 | HANDLEBAR | 161158 | 2 |
| 7 | ASSY, POINTER | 162732 | 1 |
| 8 | ASSY, REAR POINTER | 163824 | 1 |
| 9 | ASSY, 24" BLADE GUARD | 165732 | 1 |
| 10 | ASSY, SHAFT GUARD | 166056 | 1 |
| 11 | PANEL, TOWER LOWER BACK | 166354 | 1 |
| 12 | WIRE HARNESS, 3000K | 166638 | 1 |

FIGURE 11 - PARTS LIST: ASSY, 24" BLADE GUARD - P/N 165732

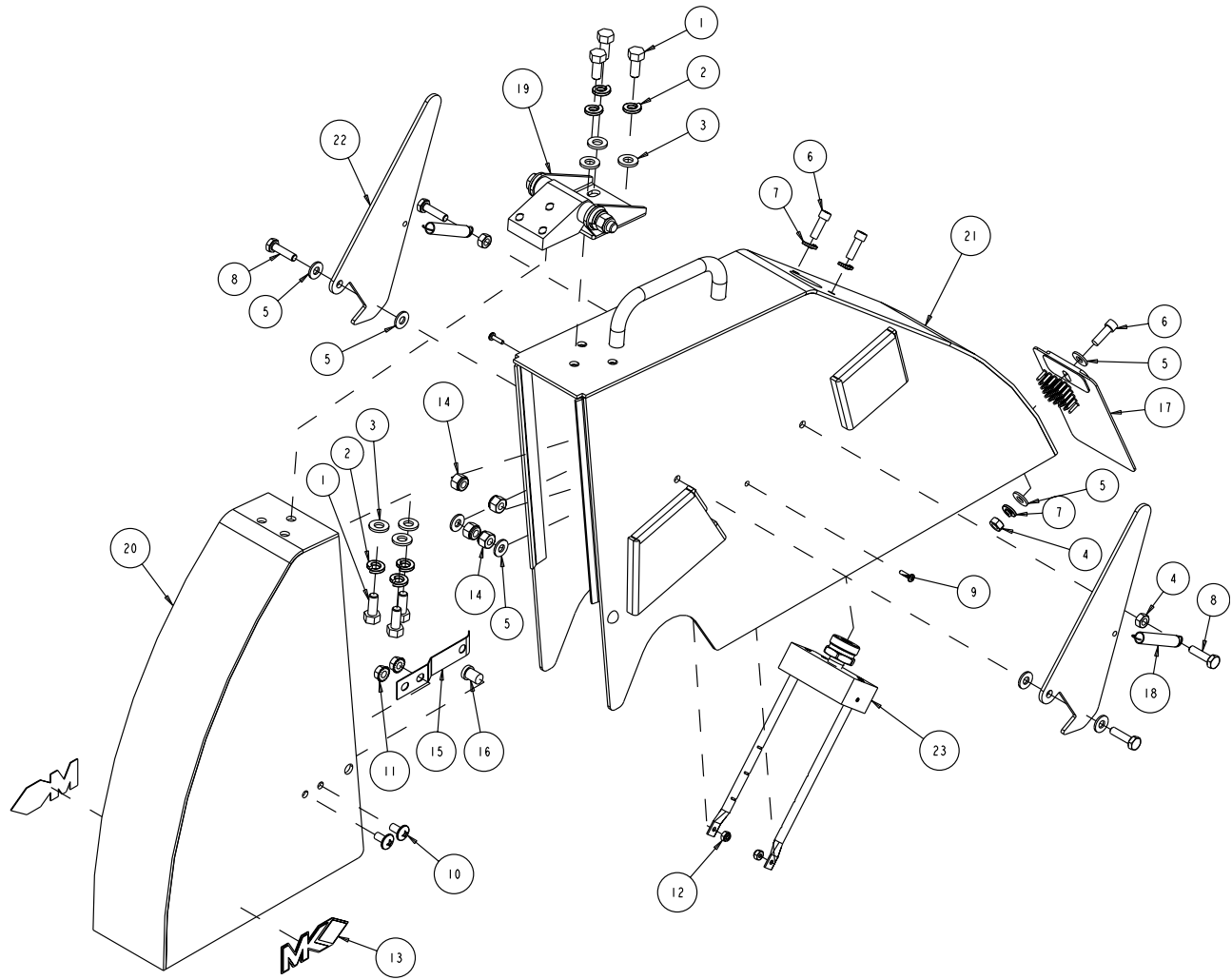


FIGURE 11 - PARTS LIST: ASSY, 24" BLADE GUARD - P/N 165732

| ITEM NO. | DESCRIPTION | PART OR IDENTIFYING NO. | QTY. REQ. |
|----------|--|-------------------------|-----------|
| 1 | SCREW, 5/16-18 X 3/4 HEX HEAD MACHINE | 151369 | 6 |
| 2 | WASHER, LOCK, SPLIT, 5/16 | 151747 | 6 |
| 3 | WASHER, FLAT, SAE, 5/16 | 151754 | 6 |
| 4 | NUT, 1/4-20 HEX | 151893 | 3 |
| 5 | WASHER, 1/4 SAE FLAT | 151915 | 8 |
| 6 | SCREW, 1/4-20 X 3/4 SOCKET HEAD CAP | 152587 | 3 |
| 7 | WASHER, 1/4 SPLIT LOCK | 152591 | 3 |
| 8 | SCREW, HEX HD CAP, 1/4-20 X 1 | 152676 | 4 |
| 9 | SCREW, #6-32 X 3/8 PAN HEAD SELF TAPPING | 153459 | 2 |
| 10 | SCREW, 1/4-20 X 1/2 TRUSS HEAD | 153880 | 2 |
| 11 | NUT, HEX W/WSHR, 1/4-20 | 153941 | 2 |
| 12 | NUT, HEX NYLOK 6-32 | 157519 | 2 |
| 13 | LOGO, MK ADHESIVE | 157914 | 2 |
| 14 | NUT, 1/4-20 NYLOK | 159857 | 4 |
| 15 | LOCK, BLADE GUARD | 159998 | 1 |
| 16 | BUTTON, RELEASE | 159999 | 1 |
| 17 | GUARD, SPLASH | 160310 | 1 |
| 18 | SPRING, EXTENSION | 160875 | 2 |
| 19 | ASSY, HINGE | 163979 | 1 |
| 20 | GUARD, 24" FRONT BLADE | 165734 | 1 |
| 21 | GUARD, 24" REAR BLADE | 165735 | 1 |
| 22 | LATCH, 24" BLADE GUARD | 165873 | 2 |
| 23 | ASSY, WATER MANIFOLD | 165877 | 1 |

FIGURE 14 - PARTS LIST: ASSY, ENGINE, 3000K - P/N 162738

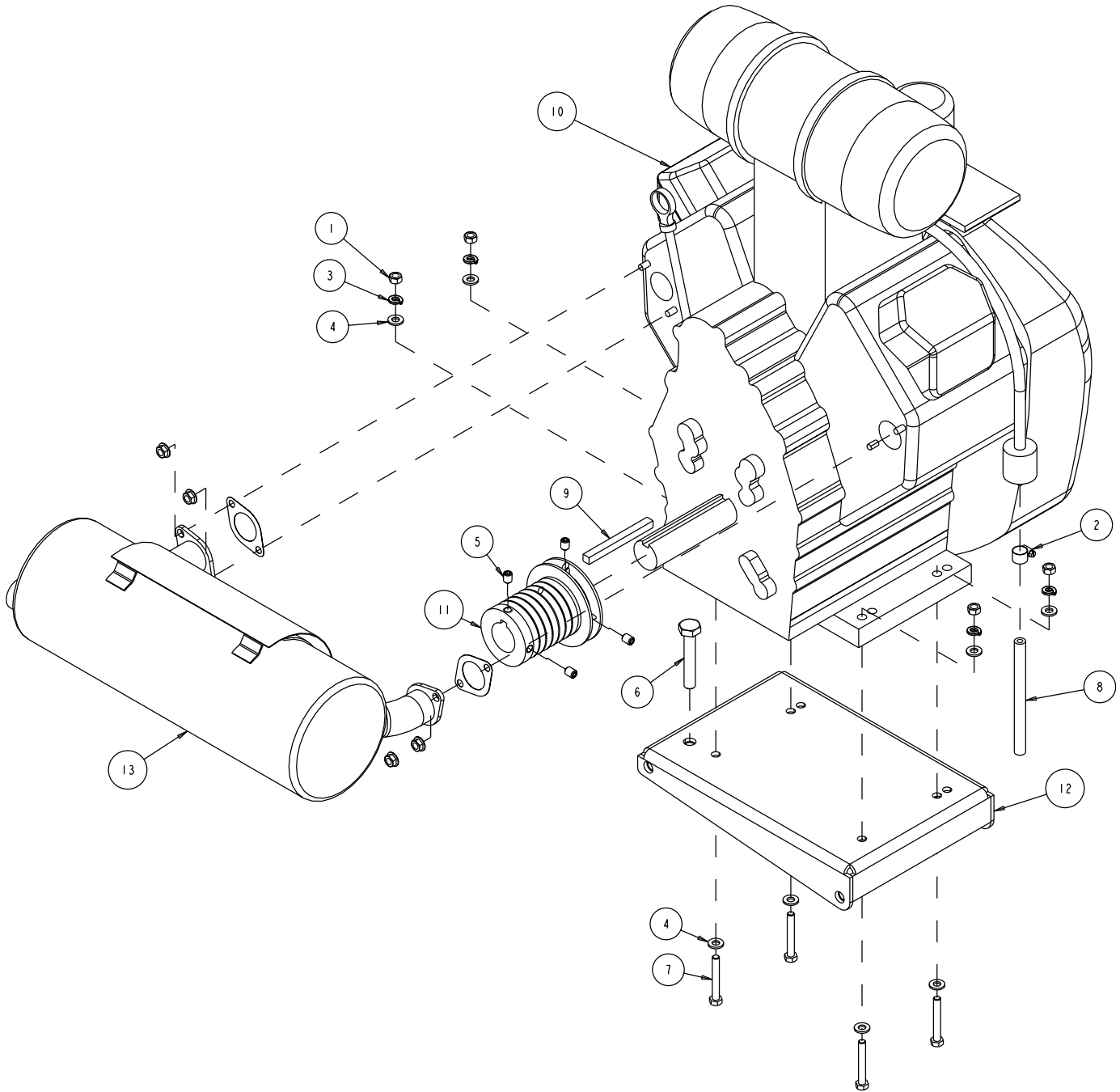
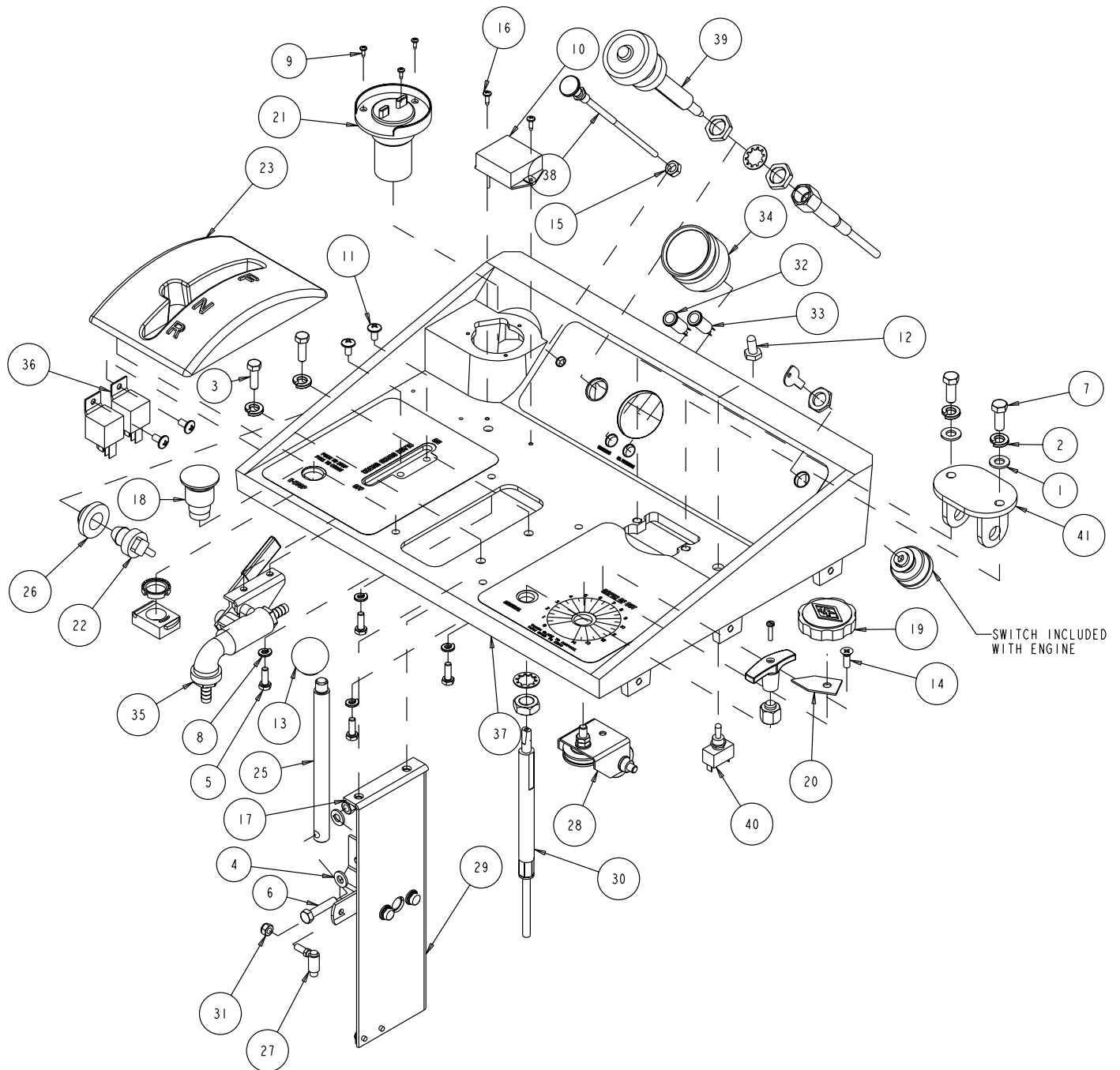


FIGURE 14 - PARTS LIST: ASSY, ENGINE, 3000K - P/N 162738

| ITEM NO. | DESCRIPTION | PART OR IDENTIFYING NO. | QTY. REQ. |
|----------|-------------------------------------|-------------------------|-----------|
| 1 | NUT, HEX, 5/16-18 | 101196 | 4 |
| 2 | CLAMP, 5/8 HOSE | 151198 | 1 |
| 3 | WASHER, LOCK, SPLIT, 5/16 | 151747 | 4 |
| 4 | WASHER, FLAT, SAE, 5/16 | 151754 | 8 |
| 5 | SCREW, SET, SOC, CUPT, 3/8-16 X 1/2 | 153710 | 4 |
| 6 | BOLT, HEX, TAP, 1/2 -13 X 4 | 153854 | 1 |
| 7 | SCREW, HEX, 5/16-18 X 2-1/4 | 153951 | 4 |
| 8 | HOSE, 1/4 FUEL, 24" | 154163 | 1 |
| 9 | KEY, SQR, 3/8 x 4.0 | 154853 | 1 |
| 10 | ENGINE, KOHLER CH980 | 162745 | 1 |
| 11 | PULLEY, 7/3VX/2.8 X 1-7/16 BORE | 165694 | 1 |
| 12 | MOUNT, ENGINE | 166348 | 1 |
| 13 | MUFFLER, KOHLER CH980 | 166636 | 1 |

FIGURE 16 - PARTS LIST: ASSY, CONTROL PANEL, 3000K - P/N 166700



| ITEM NO. | DESCRIPTION | PART OR IDENTIFYING NO. | QTY. REQ. |
|----------|---------------------------|-------------------------|-----------|
| 1 | WASHER, 3/8 SAE FLAT | 150923 | 2 |
| 2 | WASHER, 3/8 SPLIT LOCK | 150925 | 4 |
| 3 | SCREW, HEX HD 5/16-18 X 1 | 151743 | 2 |
| 4 | WASHER, FLAT, SAE, 5/16 | 151754 | 2 |

FIGURE 16 - PARTS LIST: ASSY, CONTROL PANEL, 3000K - P/N 166700

| ITEM NO. | DESCRIPTION | PART OR IDENTIFYING NO. | QTY. REQ. |
|----------|--|-------------------------|-----------|
| 5 | SCREW, HEX HD 1/4-20 X 3/4 | 152370 | 4 |
| 6 | SCREW, 5/16-18 X 1-1/2 HEX HEAD MACHINE | 152467 | 1 |
| 7 | SCREW, HEX HD CAP, 3/8 - 16 X 1 | 152507 | 2 |
| 8 | WASHER, 1/4 SPLIT LOCK | 152591 | 4 |
| 9 | SCREW, #6-32 X 3/8 PAN HEAD SELF TAPPING | 153466 | 3 |
| 10 | TACHOMETER/HOURMETER | 153877 | 1 |
| 11 | SCREW, 1/4-20 X 1/2 TRUSS HEAD | 153880 | 4 |
| 12 | COVER, SWITCH | 154301 | 1 |
| 13 | KNOB, 1/2-20 FEM BALL | 154486 | 1 |
| 14 | SCREW, 1/4-20 X 3/4 FLAT HEAD PHILLIPS MACHINE | 154657 | 1 |
| 15 | NUT, 3/4-24 HEX JAM | 156632 | 1 |
| 16 | SCREW, PAN HD SELF TAP 8-32 X 1/2 | 156632 | 2 |
| 17 | NUT, 5/16 -18 NYLOK HEX | 158289 | 1 |
| 18 | ASSY, SWITCH BUTTON, GAS | 162080 | 1 |
| 19 | KNOB, DEPTH INDICATOR (COMP) | 162629 | 1 |
| 20 | POINTER, DEPTH INDICATOR | 162630 | 1 |
| 21 | FUEL FILLER W/CAP | 162640 | 1 |
| 22 | VENT, REMOTE | 162641 | 1 |
| 23 | CASTING, FNR LEVER (COMP) | 162720 | 1 |
| 24 | LABEL SHEET, CONTROL PANEL | 162725 | 1 |
| 25 | SHAFT, FNR CONTROL | 162740 | 1 |
| 26 | GROMMET, REMOTE VENT | 162847 | 1 |
| 27 | BALL JOINT, 30 SERIES | 162859 | 1 |
| 28 | ASSY, DEPTH INDICATOR | 162881 | 1 |
| 29 | ASSY, CONTROLHEAD, FNR | 162882 | 1 |
| 30 | CABLE, T2L, CONTROL, N- COMP | 163934 | 1 |
| 31 | NUT, HEX, NYLK, 1/4-28 | 163936 | 1 |
| 32 | LIGHT, 1/2" DIA. PANEL, RED | 163938 | 1 |
| 33 | LIGHT, 1/2" DIA. PANEL, GREEN | 163939 | 1 |
| 34 | GAUGE, FUEL, ANALOG | 164151 | 1 |
| 35 | ASSY, WATER VALVE | 164161 | 1 |
| 36 | RELAY, 12V, 70A | 164969 | 2 |
| 37 | CASTING, CONTROL PANEL, COMP | 166360 | 1 |
| 38 | CABLE, CHOKE, WISC (COMP) | 166701 | 1 |
| 39 | CABLE, THROTTLE, 3000K COMP | 166702 | 1 |
| 40 | SWITCH, TOGGLE, (ON) OFF (ON) | 167224 | 1 |
| 41 | MOUNT, UPPER, ACTUATOR | 167992 | 1 |

FIGURE 17 - PARTS LIST: ASSY, FRAME SUB - P/N 166326

| ITEM NO. | DESCRIPTION | PART OR IDENTIFYING NO. | QTY. REQ. |
|----------|--|-------------------------|-----------|
| 1 | NUT, 3/8 - 16 HEX | 101188 | 1 |
| 2 | WASHER, 3/8 SAE FLAT | 150923 | 6 |
| 3 | WASHER, 1/2 SPLIT LOCK | 150924 | 13 |
| 4 | WASHER, LOCK, SPLIT, 3/8 | 150925 | 6 |
| 5 | SCREW, HEX HD CAP, 3/8 - 16 X 1 | 152507 | 6 |
| 6 | CLAMP, 7/8 CUSHION LOOP | 152593 | 1 |
| 7 | SCREW, 5/16 - 18 X 1/2 SOCKET HEAD STE | 152607 | 2 |
| 8 | WASHER, 1/2 SPLIT LOCK | 153524 | 17 |
| 9 | SCREW, 1/2 - 13 X 1 - 1/4 HEX HEAD CAP | 153532 | 9 |
| 10 | SCREW, 1/2 - 13 X 1 - 1 - 3/4 HEX HEAD CAP | 153853 | 8 |
| 11 | SCREW, 1/4 - 20 X 1/2 TRUSS HEAD | 153880 | 1 |
| 12 | BOLT, 3/8 - 16 X 2 - 1/2 HEX HEAD CAP | 155589 | 1 |
| 13 | WASHER, FLAT, USS, 1/2 | 157679 | 4 |
| 14 | SCREW, 3/8 - 16 X 1 FLATHEAD MACHINE | 162067 | 4 |
| 15 | GROMMET, 1/2 X 1.0 | 162493 | 2 |
| 16 | ASSY, TRUCK | 162742 | 1 |
| 17 | BRACKET, TRANS LIFT, ADJ | 162743 | 1 |
| 18 | BRACKET, TRANS MOUNT FIXED | 162744 | 1 |
| 19 | FRAME, WELDMENT MAIN | 166327 | 1 |
| 20 | PLATE, REAR FRAME | 166329 | 1 |
| 21 | SHAFT, TRUCK PIVOT | 166330 | 1 |
| 22 | ASSY, AXLE, REAR | 166331 | 1 |
| 23 | ASSY, TRANSMISSION | 166338 | 1 |
| 24 | CHAIN, #40 ROLLER, W/LINK | 166345 | 1 |
| 25 | CORNER, MAIN FRAME | 166350 | 1 |
| 26 | BRACKET, ENG MOUNT, RH | 169474 | 1 |
| 27 | BRACKET, ENG MOUNT, LH | 169475 | 1 |
| 28 | ASSY, BLADE SHAFT | 170034 | 1 |

FIGURE 18 - PARTS LIST: ASSY, BLADE SHAFT, P/N 170034

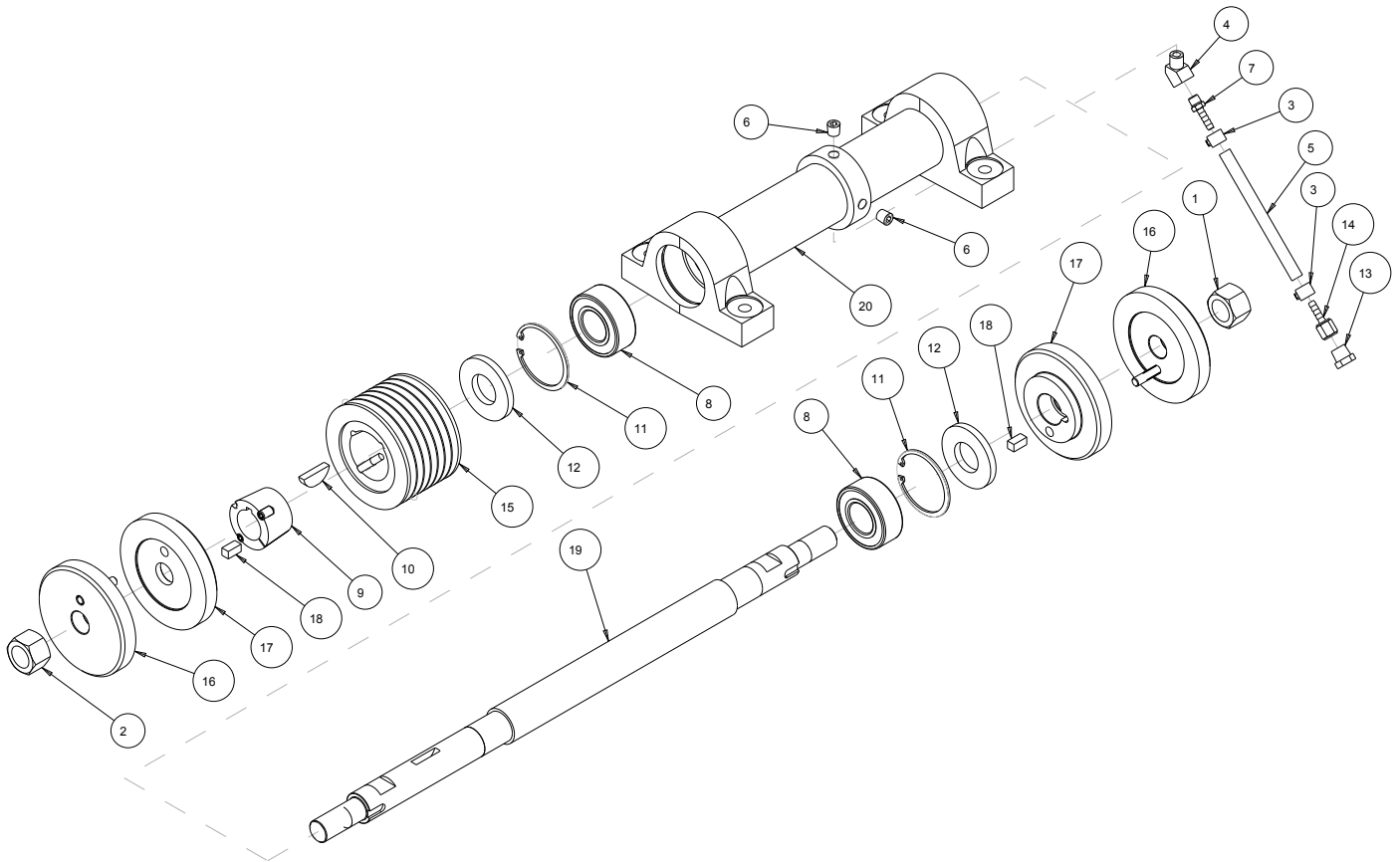
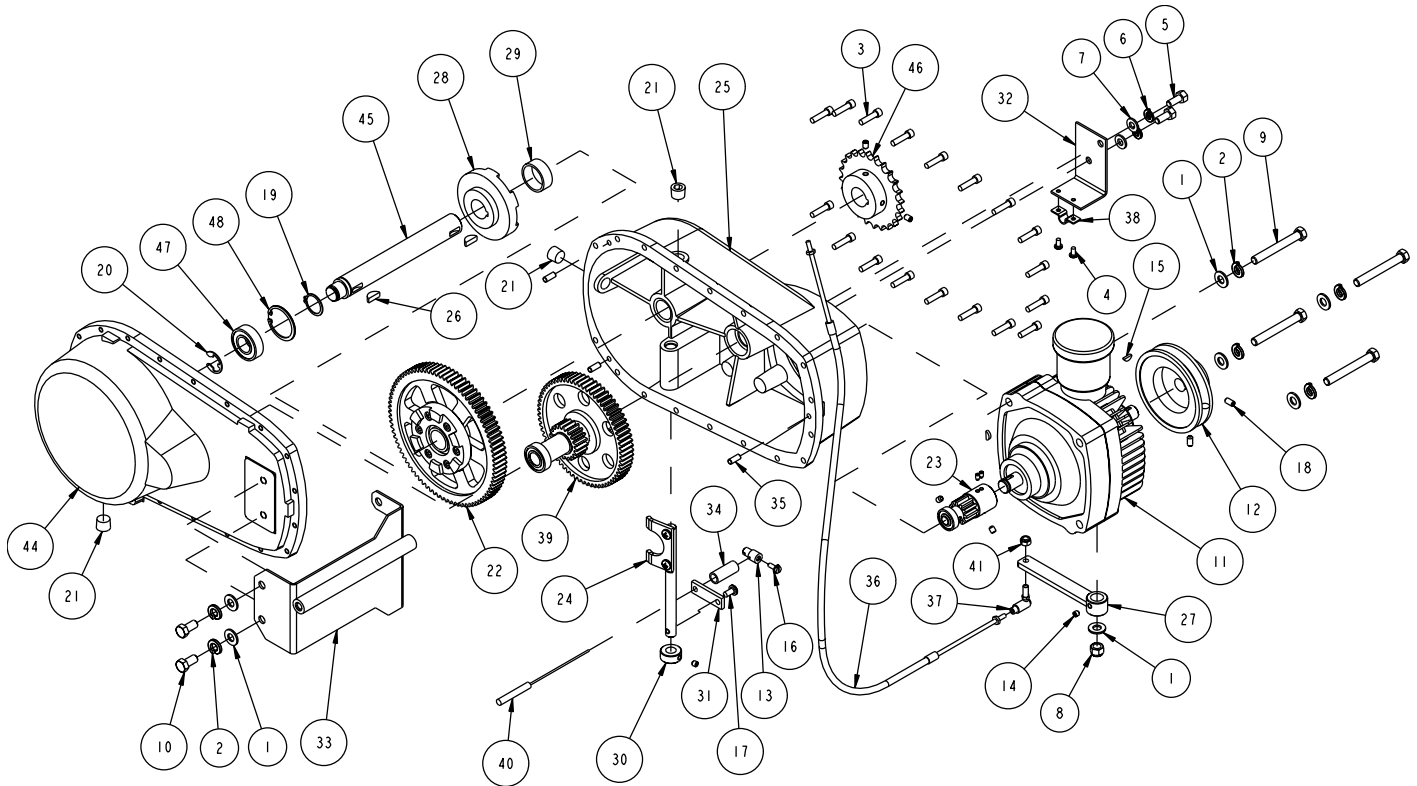


FIGURE 18 - PARTS LIST: ASSY, BLADE SHAFT, P/N 170034

| ITEM NO. | DESCRIPTION | PART OR IDENTIFYING NO. | QTY. REQ. |
|----------|-----------------------------------|-------------------------|-----------|
| 1 | NUT, 1 -14 RIGHT HAND | 138693 | 1 |
| 2 | NUT, 1 - 14 LEFT HAND | 138701 | 1 |
| 3 | CLAMP, HOSE, 5.8 | 151198 | 2 |
| 4 | ELBOW, 1/4 NPT X 45 STREET | 153869 | 1 |
| 5 | HOSE, 1/4 FUEL, 6" | 154163 | 1 |
| 6 | PLUG, 1/4NPT HEX SOCKET | 154679 | 2 |
| 7 | FITTING, 1/8 MNPT X 1/4 BARB | 155809 | 1 |
| 8 | BEARING, 35 X 72 X 27, D-ROW BALL | 160810 | 2 |
| 9 | BUSING, TPR-LOCK, 1615 X 1 - 3/8 | 160811 | 1 |
| 10 | KEY, WOODRUFF, 5/16 X 1 -1/2 | 160816 | 1 |
| 11 | RING, RETAINING, 72MM INTERNAL | 161201 | 2 |
| 12 | SEAL, OIL, 1 - 3/8 X 72MM | 161202 | 2 |
| 13 | PLUG, 3/8NPT BRONZE BREATHER | 161209 | 1 |
| 14 | FITTING, 1/4 FNPT X 1/4 BARB | 162601 | 1 |
| 15 | PULLEY, 7/3V X 4.75 X 1615TB | 165696 | 1 |
| 16 | FLANGE, KEYED, INNER, 5" | 168598-5 | 2 |
| 17 | FLANGE, KEYED, INNER, 5" | 168598-5 | 2 |
| 18 | KEY, SQR, 3/8 X 3/4 | 169371 | 2 |
| 19 | SHAFT, BLADE, ENCL. 300 | 170031 | 1 |
| 20 | CASTING, SHAFT HOUSING, 3000-COMP | 170033 | 1 |

FIGURE 19 - PARTS LIST: ASSY, TRANSMISSION - P/N 166338

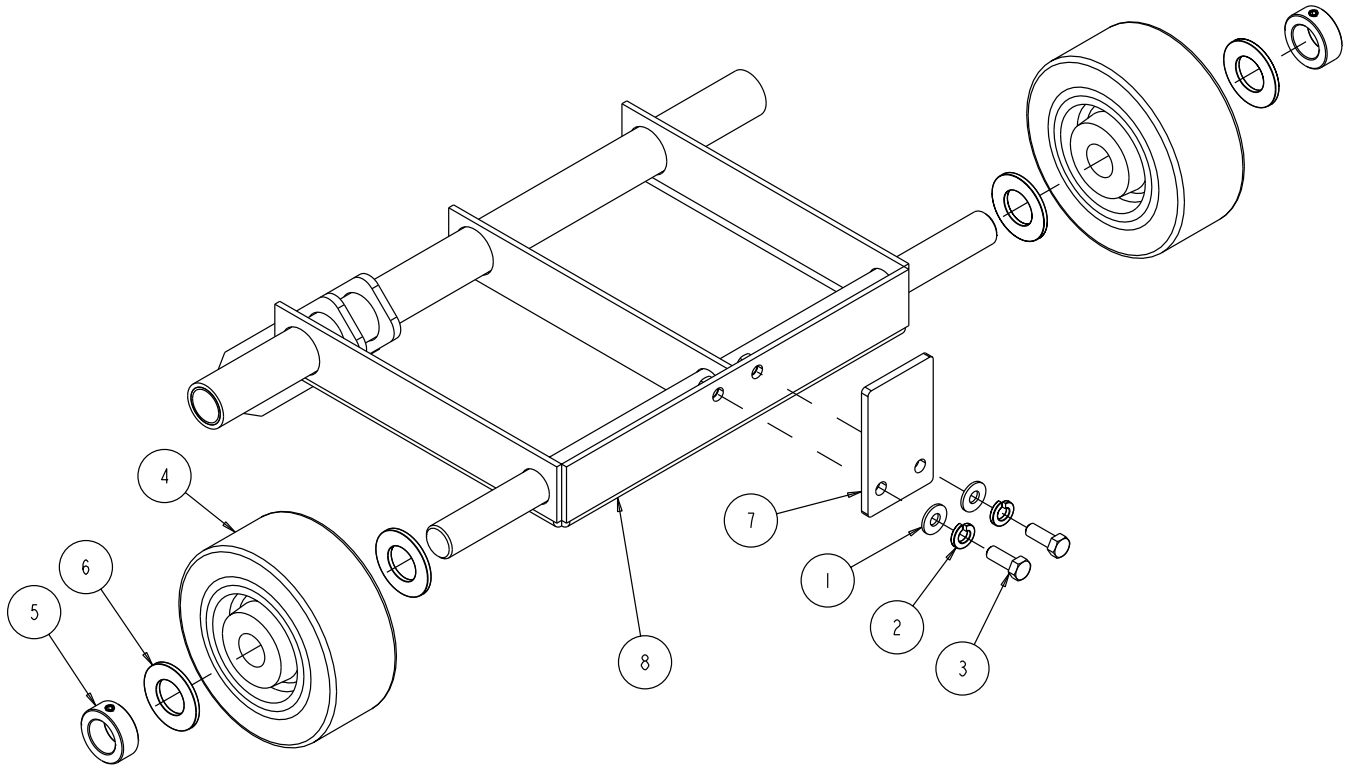


| ITEM NO. | DESCRIPTION | PART OR IDENTIFYING NO. | QTY. REQ. |
|----------|--|-------------------------|-----------|
| 1 | WASHER, 3/8 SAE FLAT | 150923 | 7 |
| 2 | WASHER, 3/8 SPLIT LOCK | 150925 | 6 |
| 3 | SCREW, SOC HD CAP, 1/4-20 X 1 | 151049 | 18 |
| 4 | SCREW, 10-24 X 3/8 PAN HEAD PHILLIPS MACHINE | 151097 | 2 |
| 5 | SCREW, 5/16-18 X 3/4 HEX HEAD MACHINE | 151369 | 2 |
| 6 | WASHER, LOCK, SPLIT, 5/16 | 151747 | 2 |
| 7 | WASHER, FLAT, SAE, 5/16 | 151754 | 2 |
| 8 | NUT, 3/8-16 NYLOK HEX | 152505 | 1 |
| 9 | SCREW, 3/8-16 X 3 HEX HEAD CAP | 153113 | 4 |
| 10 | SCREW, HEX, 3/8-16 X 3/4 | 153527 | 2 |

FIGURE 19 - PARTS LIST: ASSY, TRANSMISSION - P/N 166338

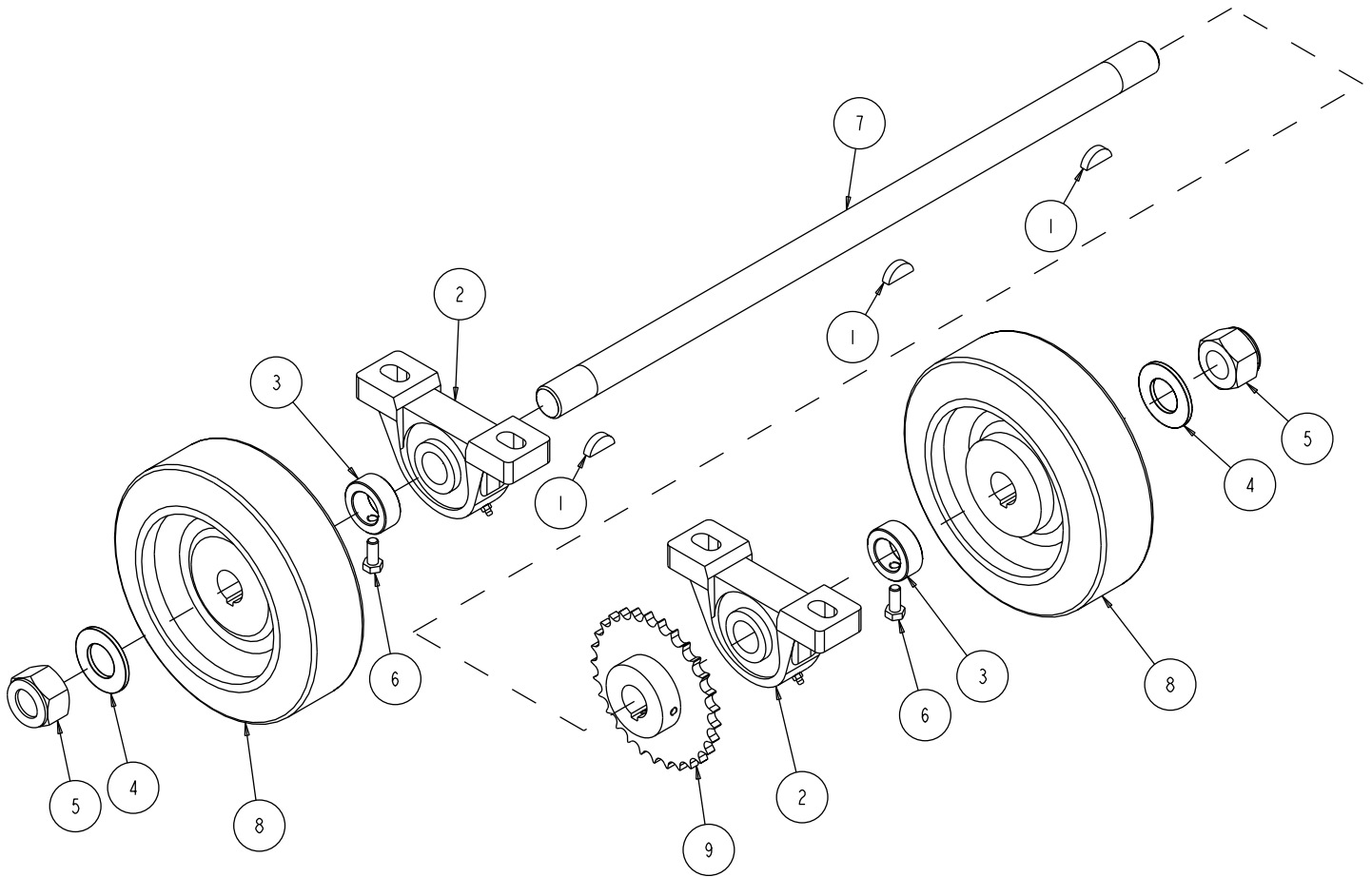
| ITEM NO. | DESCRIPTION | PART OR IDENTIFYING NO. | QTY. REQ. |
|----------|---|-------------------------|-----------|
| 11 | PUMP, TRANSMISSION | 153783 | 1 |
| 12 | PULLEY, A4.0 X 17 MM BORE OFFSET | 153826 | 1 |
| 13 | PIN, WIRE STOP | 153842 | 1 |
| 14 | SCREW, SET CNE PT 1/4-20 X 1/4 | 153864 | 1 |
| 15 | KEY, WOODRUFF, 1/8 X 1/2 | 153865 | 2 |
| 16 | SCREW, HEX HD FL 10-24 X 5/16 | 154172 | 1 |
| 17 | SCREW, 1/4-20 X 1/2 PAN HEAD PHILLIPS MACHINE | 155452 | 1 |
| 18 | SCREW, 1/4-20 X 1/2 SOCKET HEAD SET | 155804 | 2 |
| 19 | RING, 1" EXTERNAL RETAINING | 161140 | 1 |
| 20 | RING, .75 E-STYLE RETAINING | 161163 | 1 |
| 21 | PLUG, 3/8 NPT HEX SOCKET, GALV | 161208 | 3 |
| 22 | ASSY, ENGAGEMENT GEAR | 161233 | 1 |
| 23 | ASSY, PUMP PINION | 161235 | 1 |
| 24 | ASSY, TRANS FORK 1 | 161237 | 1 |
| 25 | ASSY, TRANS CASE 1 | 161248 | 1 |
| 26 | KEY, WOODRUFF, 1/4 X 3/4 | 161261 | 2 |
| 27 | LEVER, TRANS CONTROL | 161263 | 1 |
| 28 | PLATE, LOCKER, KEYED | 161264 | 1 |
| 29 | SPRING, 1.5OD X 1.3 COMPRESSION | 161279 | 1 |
| 30 | COLLAR, 1/2 SHAFT | 162633 | 1 |
| 31 | LEVER, TRANS FORK | 162673 | 1 |
| 32 | BRACKET, TRANS FNR | 162735 | 1 |
| 33 | BRACKET, TRANS PIVOT | 162741 | 1 |
| 34 | SPRING, .56 OD X 1.38 COMPRESSION | 162829 | 1 |
| 35 | PIN, 1/4 X 5/8 DOWEL | 162849 | 3 |
| 36 | CABLE, TRANS CONTROL | 162858 | 1 |
| 37 | BALL JOINT, 30 SERIES | 162859 | 1 |
| 38 | CLAMP, 30 SERIES CONDUIT | 162860 | 1 |
| 39 | ASSY, CHANGE GEAR | 162883 | 1 |
| 40 | CABLE, T2L CONTROL, N (COMP) | 163934 | 1 |
| 41 | NUT, HEX, NYLK, 1/4-28 | 163936 | 1 |
| 42 | OIL, 80-90 SAE GEAR | 164971 | 1 |
| 43 | SEALANT, HI-TEMP FORM-A-GASKET | 164972 | 1 |
| 44 | CASTING, TRANS CASE3 (COMP) | 166340 | 1 |
| 45 | SHAFT, AXLE, #3 | 166341 | 1 |
| 46 | SPROCKET, 40BS24 X 1.0 BORE | 166342 | 1 |
| 47 | BEARING, BALL, 20 X 42 X 12 MM | 166343 | 1 |
| 48 | RING, 1-11/16 INTERNAL RETAINING | 166344 | 1 |

FIGURE 20 - PARTS LIST: ASSY, TRUCK - P/N 162742



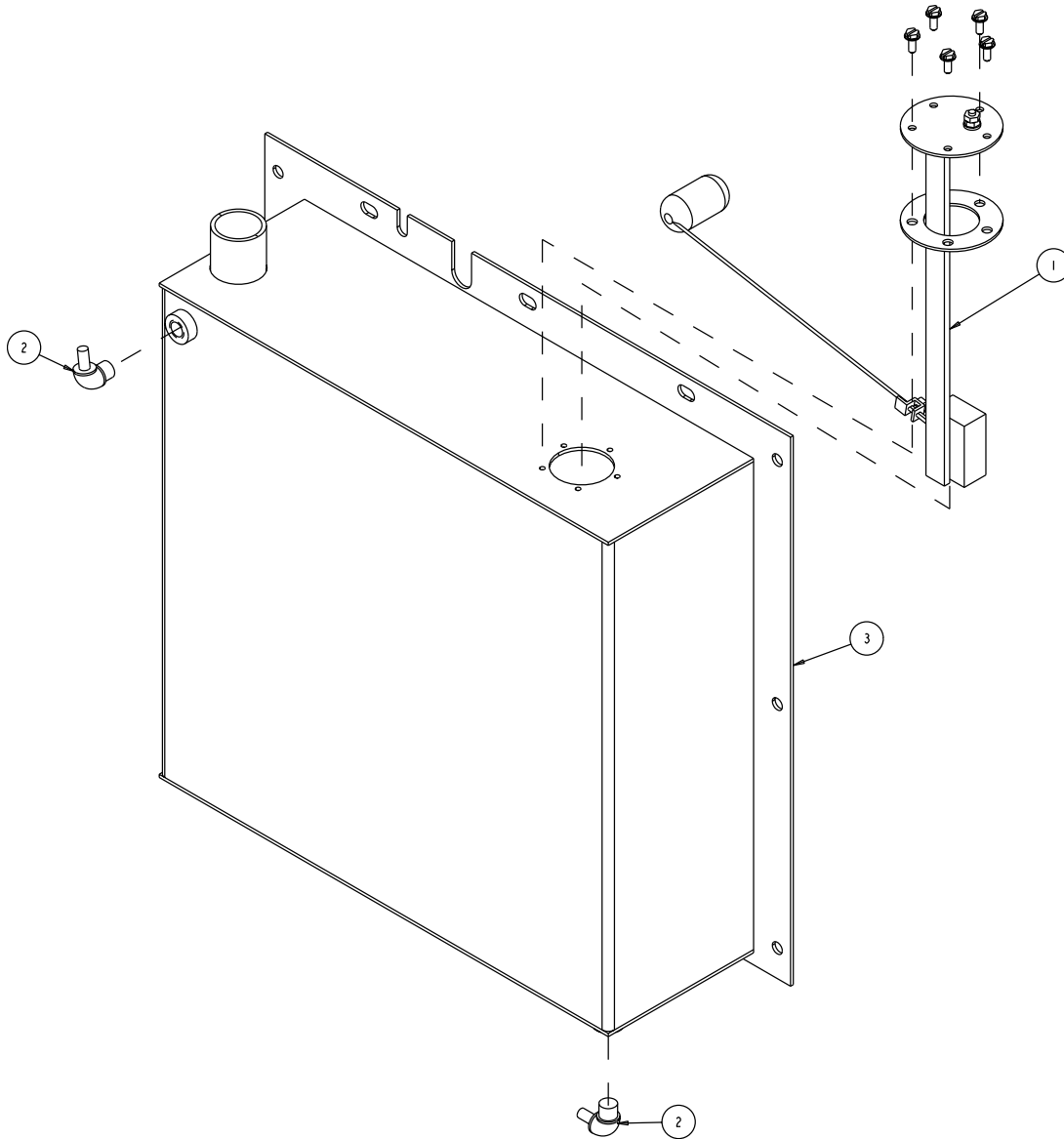
| ITEM NO. | DESCRIPTION | PART OR IDENTIFYING NO. | QTY. REQ. |
|----------|-------------------------------|-------------------------|-----------|
| 1 | WASHER, 3/8 SAE FLAT | 150923 | 2 |
| 2 | WASHER, 3/8 SPLIT LOCK | 150925 | 2 |
| 3 | SCREW, HEX HD CAP, 3/8-16 X 1 | 152507 | 2 |
| 4 | WHEEL, 6 X 2-1/2 X 1 | 160848 | 2 |
| 5 | COLLAR, 1.0 SHAFT | 160849 | 2 |
| 6 | WASHER, 1 SAE FLAT | 160851 | 4 |
| 7 | STOP, TRUCK | 162736 | 1 |
| 8 | TRUCK | 166328 | 1 |

FIGURE 21 - PARTS LIST: ASSY, AXLE, REAR - P/N 166331



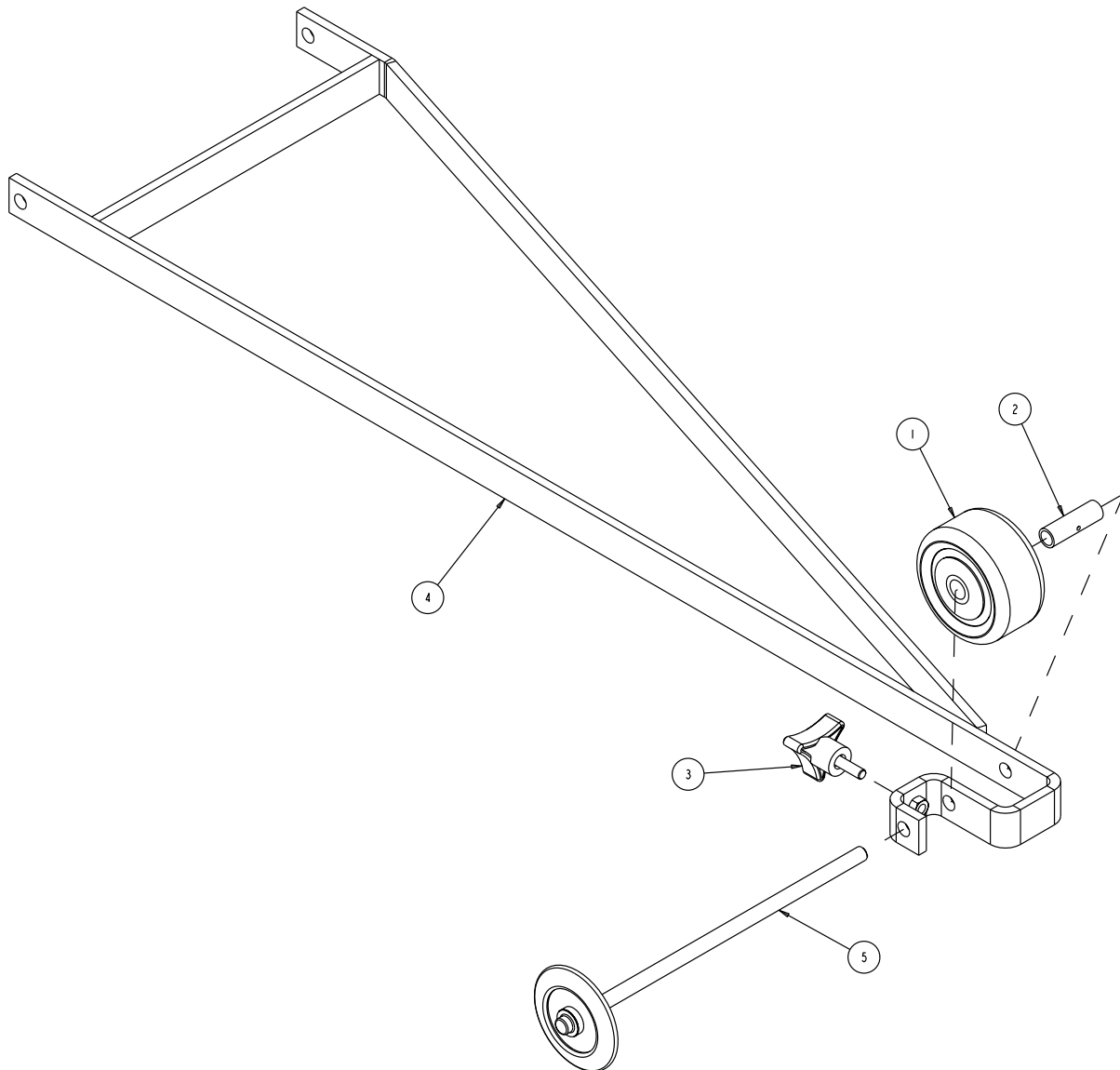
| ITEM NO. | DESCRIPTION | PART OR IDENTIFYING NO. | QTY. REQ. |
|----------|---------------------------------------|-------------------------|-----------|
| 1 | KEY, 1/4 X 1 WOODRUFF | 150795 | 3 |
| 2 | BEARING, 1.0 ID PILLOW BLOCK | 157924 | 2 |
| 3 | COLLAR, 1" SHAFT | 160849 | 2 |
| 4 | WASHER, 1 SAE FLAT | 160851 | 2 |
| 5 | NUT, 1-8 NYLOK HEX | 163235 | 2 |
| 6 | SCREW, 5/16-24 X 3/4 HEX HEAD MACHINE | 165617 | 2 |
| 7 | SHAFT, REAR AXLE | 166332 | 1 |
| 8 | WHEEL, 8 X 2-1/2 X 1.0 BORE | 166333 | 2 |
| 9 | SPROCKET, 40BS29 X 1.0 BORE | 166334 | 1 |

FIGURE 22 - PARTS LIST: ASSY, FUEL TANK, GASOLINE - P/N 166357



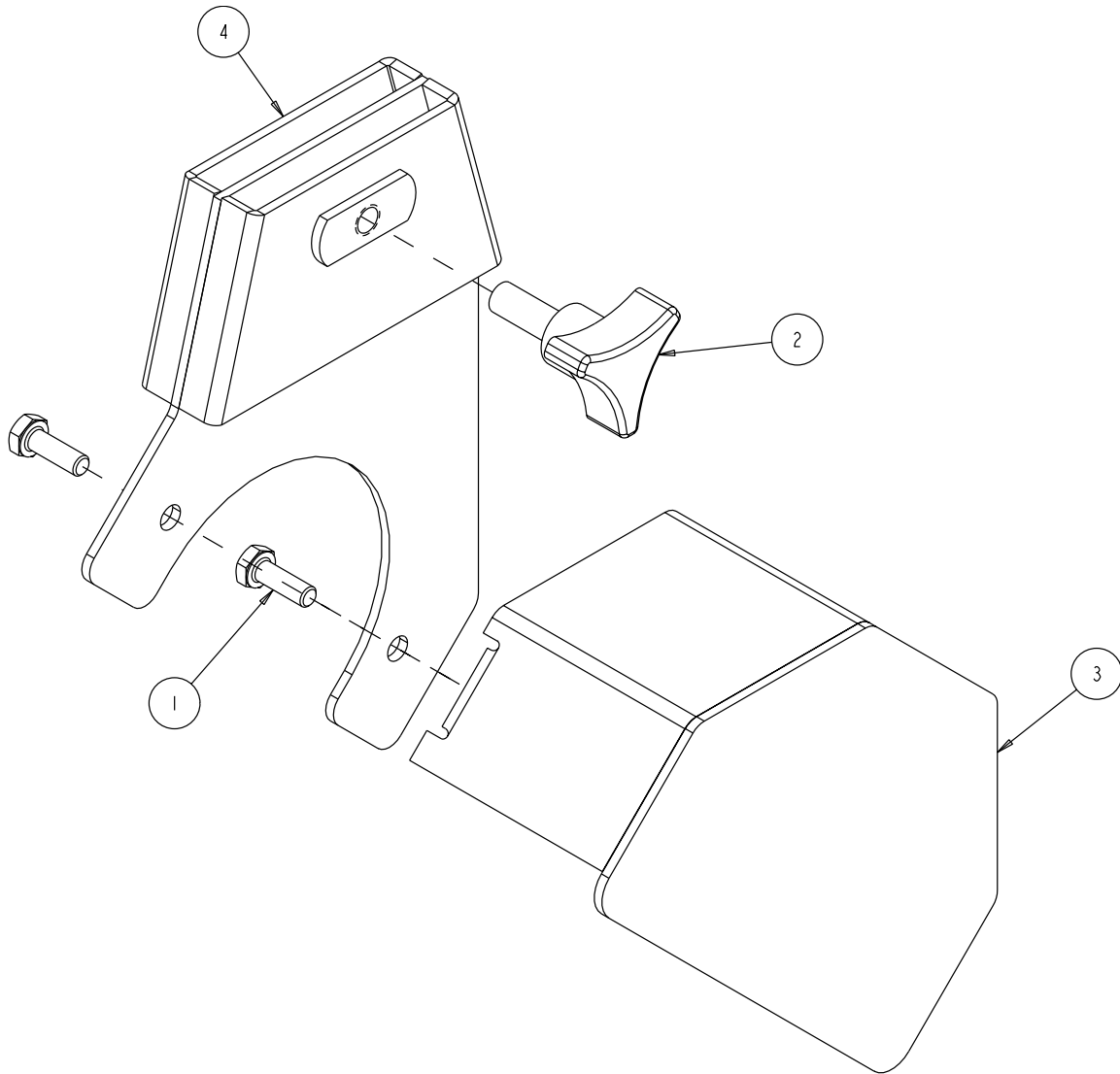
| ITEM NO. | DESCRIPTION | PART OR IDENTIFYING NO. | QTY. REQ. |
|----------|------------------------------------|-------------------------|-----------|
| 1 | SENDER, FUEL | 162636 | 1 |
| 2 | ELBOW, 1/4 MNPT X 1/4 BARB, 90 DEG | 162637 | 2 |
| 3 | TANK, FUEL | 166358 | 1 |

FIGURE 23 - PARTS LIST: ASSY, POINTER - P/N 162732



| ITEM NO. | DESCRIPTION | PART OR IDENTIFYING NO. | QTY. REQ. |
|----------|---------------------------------|-------------------------|-----------|
| 1 | WHEEL, POINTER, 3" | 155066 | 1 |
| 2 | BUSHING, 3/8 ID X 1-5/8L | 155153 | 1 |
| 3 | KNOB, 1/4-20 3/4 PRONG, NO LOGO | 160482 | 1 |
| 4 | ARM, POINTER | 162733 | 1 |
| 5 | ASSY, POINTER WHEEL | 165238 | 1 |

FIGURE 24 - PARTS LIST: ASSY, SHAFT GUARD - P/N 166056



| ITEM NO. | DESCRIPTION | PART OR IDENTIFYING NO. | QTY. REQ. |
|----------|----------------------------|-------------------------|-----------|
| 1 | SCREW, HEX HD 1/4-20 X 3/8 | 153526 | 2 |
| 2 | KNOB, 3 PRONG 3/8-16 X 1 | 156175 | 1 |
| 3 | GUARD, SHAFT | 161109 | 1 |
| 4 | BACK PLATE, SHAFT GUARD | 166057 | 1 |